

# Instruction Manual



*Congratulations on the purchase of Omegon®Pro 2x54 wide-field binoculars for star field observing. These special binoculars provide 36 degrees of field of view, which allow seeing huge portions of the night sky. This is great to identify constellations, and effectively increase by a few magnitudes what the naked eye cannot see.*

## 1.1 What is included?

- 1- Binoculars 2x54
- 2- Strap
- 3- Pouch
- 4- Cleaning cloth

## 1.2. Features (fig. 1)

- 1- Individual eyepiece adjustment;
- 2- ¼"-20 threads for tripod L-Bracket;
- 3- Full aperture 54mm diameter fully multi-coated objective (and eyepiece) lenses;
- 4- 56mm filter thread for Omegon Pro UHC Filters 73883

## 2. What to do before starting to use your new binoculars?

**2.1. Adjust the interpupillary distance.** Each person has a different interpupillary distance. This is the distance between both eyes. The binocular needs to be adjusted before use. Adjustment ranges between 60-81mm. To adjust move the two lens barrels further/closer apart. The correct interpupillary distance is the one that provides light entering simultaneously to both eyes, it also provides comfortable viewing and an over-imposed image of the observed object with both eyes.

**The binoculars have 54mm in aperture and only 2x magnification providing an exit pupil of 27mm.. Considering a human has (at most) 7mm exit pupil there is some light loss. True, but this is the trade-off in the optical construction to get such wide fields of view.**

**2.2. Focusing.** The eyepieces can be individually adjusted. Rack the eyepieces (both) all the way out. During the day, look for a target far away and start by slowly racking-in to achieve focus (the image starts to form). Adjust each eyepiece to each eye individually. For night use small adjustments may be required.

**2.3. Using the Filters.** The Objective barrels are threaded to accept Omegon Pro UHC M56 filters (M56x.75) article number 73883

**2.4. Using a tripod.** The ¼"-20 thread can be used to attach to a tripod (with an L-bracket adapter) or any other equipment with ¼"-20 threads.

## 3. Specifications.

Field of View	36°	Field at 1000m	630m
Interpupillary distance	60-81mm	Diopter	-5 +3.5

Art. Nr. 73882 English Version 03.2022 REV A

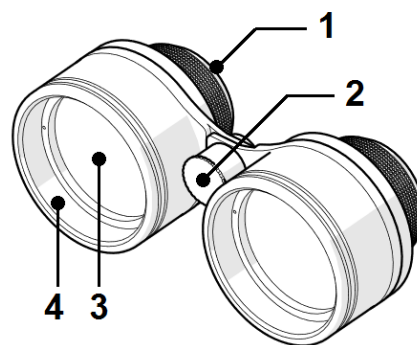


Figure 1. Features.



Figure 2. Adjusting the interpupillary distance.



Figure 3. Eyepiece adjustment (focusing).

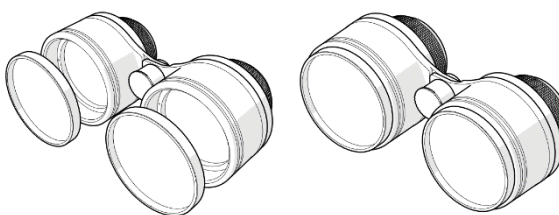


Figure 4. Using M56 filters with the binoculars.

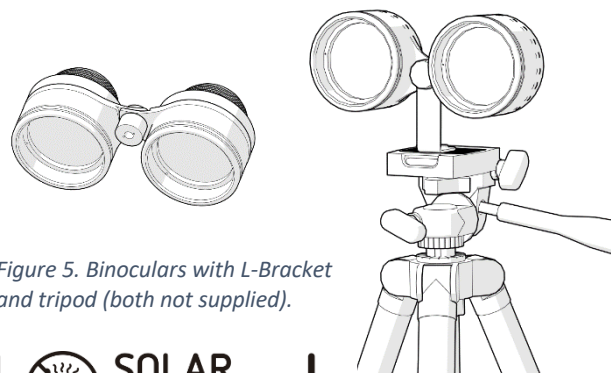


Figure 5. Binoculars with L-Bracket and tripod (both not supplied).



**SOLAR WARNING**

Do not look at the Sun through the telescope.  
Concentrated Sun light may cause serious eye injury.  
Children should use only with adult supervision.